



EECS Electricity Domain Protocol

**for
FRANCE**

Prepared by European Energy Exchange AG

Based on EECS Rules Release 7 v12

Release 5 – 18 December 2020



EECS Domain Protocol



EECS Domain Protocol

Document Control

Version	Date	Originator	Reviewers
1	08/05/13	Powernext	C Pooley, R van Stein Callenfels
2	19/08/16	Powernext	K Verwimp, R van Stein Callenfels
3	01/01/19	Powernext	K Verwimp, R van Stein Callenfels
4	23/01/20	EEX	K Verwimp, R van Stein Callenfels
5	18/12/20	EEX	C. Toufexis, R van Stein Callenfels

Version	Approver	Date	Responsibility

Change History

Version	Description
1	First Domain Protocol
2	Update after Decree 2016-944 of 11 July 2016
3	Update after Decree 2018-243 of 5 th April 2018
4	Merger between Powernext and EEX
5	Update after AIB audit



Contents

A	Introduction	6
B	General	6
B.1	Scope	6
B.2	Status and Interpretation	7
B.3	Roles and Responsibilities	7
C	Overview of National Legal and Regulatory Framework	9
C.1	The EECS Framework	9
C.2	National Electricity Source Disclosure	10
C.3	National Public Support Schemes.....	11
C.4	EECS Product Rules	12
C.5	Local Deviations from the EECS Rules	12
D	Registration.....	13
D.1	Registration of an Account Holder	13
D.2	Resignation of an Account Holder	14
D.3	Registration of a Production Device.....	14
D.4	De-Registration of a Production Device.....	19
D.5	Maintenance of Production Device Registration Data	19
D.6	Audit of Registered Production Devices	20
D.7	Registration Error/Exception Handling.....	21
E	Certificate Systems Administration	23
E.1	Issuing EECS Certificates	23
E.2	Processes.....	24
E.3	Measurement	25
E.4	Energy Storage (Including Pumped Storage)	26
E.5	Combustion Fuels (e.g. Biomass)	26
E.6	Cogeneration Production Devices.....	26
E.7	Format.....	27
E.8	Transferring EECS Certificates	27
E.9	Administration of Malfunctions, Corrections and Errors.....	29
E.10	End of Life of EECS Certificates – Cancellation	30
E.11	End of Life of EECS Certificates – Expiry	31
E.12	End of Life of EECS Certificates – Withdrawal	31
F	Activity Reporting	32
F.1	Public Reports	32
F.2	Record Retention	32
F.3	Orderly Market Reporting.....	32



EECS Domain Protocol

G	Association of Issuing Bodies	33
G.1	Membership.....	33
G.2	Complaints to the AIB	33
H	Change Control.....	33
H.1	Complaints to EEX	33
H.2	Change Requests	33
Annex 1:	Contacts List	35
Annex 2:	Account Application/Amendment Form	36
Annex 3:	Device Registration Form	37
Annex 4:	Production/Consumption Declaration	38
Annex 5:	Cancellation Statement.....	40
Annex 6:	Definitions	42



EECS Domain Protocol

A Introduction

The framework specified in the EECS Rules and the detailed procedures and conditions specified in this Domain Protocol have the main objective of ensuring robustness and transparency in the facilitation of EECS Schemes for all EECS Participants.

A Domain Protocol promotes quality and clarity, as it:

- makes local rules transparent;
- provides clear information to all stakeholders (consumers, market parties, other members, government, the EU Commission etc.);
- facilitates assessment of compliance and permissible variance from the EECS Rules;
- facilitates audit; and
- translates local rules into a single format and language, supporting each of the above.

Important contact information is provided in Annex 1.

The objective is to ensure an acceptable level of robustness and transparency in the facilitation of the EECS Electricity Scheme for all Scheme Participants.

B General

B.1 Scope

- B.1.1. This Domain Protocol sets out the procedures, rights and obligations, which apply to the Domain of France (metropolitan and overseas) and relate to the EECS Electricity Scheme as defined in the EECS Rules.
- B.1.2. Production Device qualification for this Domain will be determined by connection to the electricity system of France (metropolitan and overseas) such that, in electrical terms, the Production Device is effectively located in France.
- B.1.3. European Energy Exchange AG (EEX) is authorised to Issue EECS Certificates relating to the following EECS Product(s): EECS-GO, including EECS-GO-RES and EECS-GO-CHP, ICS.

Powernext had initially been appointed as Authorised Issuing Body and Competent Body by decree of the French Ministry for the Ecological and Inclusive Transition from 1st May 2013 to 31st December 2018. A new Decree¹ dated 24th August 2018 renewed Powernext's mandate for five (5) years starting on 1st January 2019. Powernext has been merged into EEX as of 1st January 2020, the nomination of Powernext has then been transferred to EEX via a Decree dated 12 December 2019. As such it registers Production Devices, issues, transfers and cancels EECS-GO.

EEX also acts as Registry Operator. As such, it administrates the operation of the EECS Registry within France. The Registry technical and operational support is exercised by EEX.

¹ Arrêté du 24 août 2018 désignant l'organisme en charge du registre national des garanties d'origine de l'électricité produite à partir de sources d'énergie renouvelables ou par cogénération et de la mise aux enchères des garanties d'origine de l'électricité produite à partir de sources renouvelables



EECS Domain Protocol

B.2 Status and Interpretation

- B.2.1. The EECS Rules are subsidiary and supplementary to national legislation.
- B.2.2. The EECS Rules and its subsidiary documents are implemented in France in the manner described in this Domain Protocol. Any deviations from the provisions of the EECS Rules that may have material effect are set out in section C.5 of this document. The capitalised terms used in this Domain Protocol shall have the meanings ascribed to them in the EECS Rules except as stated in section C.5 of this document.
- B.2.3. By signing the Contract composed of the Standard Terms and Conditions and the present Domain Protocol, the present Domain Protocol is made contractually binding between an EECS Participant and EEX.
- B.2.4. In the event of a dispute, the approved English version of this Domain Protocol will take precedence over a local language version.

B.3 Roles and Responsibilities

- B.3.1. The Authorised Issuing Body for EECS-GO in France is EEX. Its role is to administer the EECS Registration Database and its interface with the AIB Communications Hub.

As Authorised Issuing Body, EEX is the Production Registrar that registers the Production Devices and as such, carries out a systematic verification of each Production Device registered. In this role, it receives assistance from Measurement Bodies, who are the relevant Transmission or Distribution System Operators, for the verification of Production Devices. According to Article R314-69, R314-69-3 and R314-69-4 of the French Energy Code, the relevant Transmission or Distribution System Operator put all relevant data to the disposal of EEX so that EEX can exercise its mission. The Measurement Bodies can delegate these obligations to a third party. In this case, a contract needs to be in place both between the Measurement Bodies and the third party and between EEX and the third party. It is especially the case with Agence ORE, regrouping the majority of the Distribution System Operators.

The mission of EEX is applicable in France metropolitan as well as in overseas territories. Statistics and residual mix calculation are reported separately between territories.

Since 2018 EEX is responsible for issuing and then auctioning EECS-GOs for production devices receiving public subsidies, on behalf of the French State. In this mission EEX is supported by obligated buyers and measurement bodies. The revenues of this auctioning process is dedicated to the energy transition fund.

- B.3.2. The Competent Authority for EECS-GO in France is the Direction Générale de l'Énergie et du Climat (DGEC). Its role is defined by legislation to be responsible for the operation of EECS-GO in France.

- B.3.3. The Authorised Measurement Bodies are listed hereunder:

- RTE (Réseau de Transport d'Électricité)
- Enedis
- List of Local Distribution Companies (Entreprises locales de distribution en France – ELD) available on the following website : https://www.data.gouv.fr/fr/datasets/referentiel-des-distributeurs-denergie/#_.

Measurement Bodies that are Distribution System Operators can be represented by Agence ORE, that has been mandated to be the interface of EEX to create a database



EECS Domain Protocol

for Production Devices and for Metering Data that Measurement Bodies need to send to EEX.

They are the bodies established under national regulation to be responsible for the collection and validation of measured volumes of energy used in national financial settlement processes.

Co-contractants (obligated buyers) are requested to send Production Devices data to the Measurement Bodies for Production Devices which are under feed-in tariffs (see C3 for further explanation of their role).

B.3.4. Contact details for the principal roles and Issuing Body agents are given in Annex 1.

B.3.5. The EECS Registration Database operated by EEX can be accessed via the website <https://www.powernext.com>. Also, the Registry can be accessed via the website <https://go.powernext.com>

The software and database used for the Registry was built and is being maintained in-house and uses SQL server technology.

B.3.6. The following are valid EECS Product: Independent Criteria Scheme combinations which can be Issued under this Domain Protocol:

EECS Product	Independent Criteria Scheme
EECS – GO	
EECS – GO	ICS:TUVSUDGENEE (TÜV SÜD Industrie Service GmbH)
EECS – GO	ICS:NATUREMADE (Naturemade)

C Overview of National Legal and Regulatory Framework

C.1 The EECS Framework

C.1.1. For France, the relevant local enabling legislation is as follows:

- The relevant EU legislation is Directive n°2009-28/EC of 23rd April 2009 on the promotion of the use of energy from renewable sources.
- This EU Directive has been implemented into French law by Ordonnance n°2011-1105 of 14th September 2011. This Ordonnance introduces new articles in the French Energy Code.
- The mechanism of Guarantees of Origin in France for renewable energy and cogeneration is implemented in the law by Articles L314 and R314 of the French Energy Code. They specify the obligation and powers of the entity in charge of issuing, transferring and cancelling GOs. It also details how the French GO mechanism is functioning.
- Disclosure rules and obligation are implemented in the law by Article R333 of the French Energy Code modified by the Decree n°2016-944 of 11th July 2016.
- French Energy Code is available on this website: <https://www.legifrance.gouv.fr/affichCode.do?cidTexte=LEGITEXT000023983208&dateTexte=20111114>.

The main items are the following:

- According to Article L314-16 of the French Energy Code, only GOs can certify the origin of the electricity produced from renewable sources in order to prove to final consumers that subscribed to a green offer the quantity of energy produced from renewable sources.
- Guarantees of Origin are issued for net production on a monthly basis. Guarantees of Origin may be issued within five (5) months from the end of the related production period and expire after twelve (12) months after the end of the related production period.
- Article R314-67 of the French Energy Code details the GO recognition from other European countries. Unless EEX has well-founded doubts about the accuracy, reliability or veracity of GOs from another European Country, then EEX notifies the French Ministry. The French Ministry then decides whether or not to accept GOs from this country.
- Article R314-66 of the French Energy Code specifies that to prove the origin of electricity consumed in respect of a calendar year, GOs must be used before the 31st March of the following year. Starting as of 1st January 2021, this provision will be replaced by the following: the production month of a GO shall coincide with its cancellation period.
- Production Devices using renewable sources with installed capacity of more than 100 kW and in receipt of public support must register with EEX, nominating the account of the DGEC as Account Holder to receive any EECS

GOs that are to be issued. For these Production Devices, only the DGEC may request the issuance of EECS GOs. These EECS GOs are then to be auctioned off in accordance with the French Energy Code, Book III, Title IV, Section 2, Sub-section 6. The revenues of this auctioning process is dedicated to the energy transition fund.

To participate in such auctions, Account Holders must register with EEX specifically for this purpose, and must contact EEX through GO-support@powernext.com to do so.

The French Energy Code is completed by an Arrêté:

- Arrêté of 8th November 2007, provides rules relating to the production that can be certified as energy produced from renewable sources and CHP sources.

C.1.2. Powernext has been appointed as Authorised Issuing Body for EECS-GO from 1st May 2013 to 31st December 2018 under a Decree dated 19th December 2012 by the French Ministry for the Ecological and Inclusive Transition. This mandate has been extended and renewed by a Decree dated 24th August 2018 for another five (5)-years period starting as of 1st January 2019. Powernext has been merged into EEX as of 1st January 2020, the nomination of Powernext has then been transferred to EEX via a Decree dated 12 December 2019.

C.2 National Electricity Source Disclosure

C.2.1. Legislation and regulation:

Article R333-10 of the French Energy Code modified by the Decree n°2016-944 of 11st July 2016 and [Decree n°2018-243 of 5th April 2018](#), describes the obligation for suppliers to disclose information to the final consumer regarding the electricity supplied. Suppliers have to indicate on their bill (or an attached document) and on any promotional document which is related to the electricity supplied to the final clients, the share of the different primary energy sources that have been used to produce the electricity sold. There should be a specific indication on the share of renewable energy that has been disclosed through GOs which are coming from Production Devices under French feed-in tariffs and have been bought through the auctions set up by EEX as appointed by the DGEC. Suppliers also have to indicate information on the quantity of carbon dioxide emissions and/or radioactive waste per kWh produced from these primary energy sources. The French residual mix published by EEX must be used by the supplier insofar as his supplier mix consists of untracked electricity.

GOs are the only accepted tracking mechanism that is recognised with regard to electricity from renewable sources. According to Article L314-16 of the French Energy Code, only GOs can certify the origin of the electricity produced from renewable sources in order to prove to final consumers that subscribed to a green offer the quantity of energy produced from renewable sources. For consumption of year N, GOs must be cancelled before 31st March of year N+1. As of 1st January 2021, the production month of a GO shall coincide with its cancellation period.

GOs cancelled in another member state's registry to cover consumption in France (Ex Domain Cancellation) are integrated in the calculation of the French residual mix on the condition that EEX has accepted the Ex Domain Cancellation and has been informed in due time.

Article R333-14 of the French Energy Code modified by the Decree n°2016-944 of 11th July 2016 and [Decree n°2018-243 of 5th April 2018](#), notifies that EEX is in charge of the disclosure of the French residual mix. It is published before 15th June of the following calendar year. The calculation method is in line with the method used by the AIB, in that manner, it prevents double counting of renewable energy sources.

Article R333-15 of the French Energy Code modified by the Decree n°2016-944 of 11th July 2016 and [Decree n°2018-243 of 5th April 2018](#), describes the obligation for suppliers to report to the French Ministry of Energy their supplier mix before 30th September of the following calendar year. Agents from the Ministry have the power to enquire in order to verify disclosed data.

The same regulation applies to overseas territories (DOM-TOM). The only exception is that one residual mix is calculated per territory. (see C.2.3.).

C.2.2. Summary of the disclosure methodology and process:

For all their green offers, suppliers have the obligation to use guarantees of origin to certify the renewable origin of the energy sold. The quantity of guarantees used over a certain period must be at least equal to the quantity of green energy sold. Starting as of 1st January 2021, GO month production period shall be used for a consumption of the same month. Furthermore, suppliers can use additional guarantees in order to increase the renewable share in their supplier mix.

The regulation requires suppliers to inform the consumer of the origin for the electricity provided. For standard offers, the residual mix is used as a basis for the calculation of the supplier mix for untracked electricity.

C.2.3. Residual Mix:

A residual mix is required to be calculated by the Registry Operator. The methodology of calculation is based on the Issuance Based Methodology used by all AIB members. The residual mix is published by the Registry Operator before the 15th of June of the following year. It is published on the following website: www.powernext.com.

Overseas are not taken into account in the metropolitan residual mix.

In case of GOs transactions (issuance, cancellation...) in one of these territories, a residual mix would also be calculated for this territory. In the meantime, the residual mix for each overseas territory is equal to the production mix of the same territory.

C.3 National Public Support Schemes

In France, different types of support schemes are in place.

- Production supports

France introduced two types of feed-in tariff mechanisms:

- A system called “obligation d’achat”, defined through Articles L314-1 to L314-13 of the French Energy Code and in place already since 2000.
- A system called “complément de rémunération”, defined through Articles L314-18 to L314-27 of the French Energy Code, in place since 2016.

Further information on these mechanisms can be found on the ministry website (in French): <https://www.ecologique-solidaire.gouv.fr/dispositifs-soutien-aux-energies-renouvelables>.

In both systems, producers owning Production Devices sign a contract of “obligation d’achat” with third parties called “*Acheteurs Obligés*” (obligated buyers) or “*Co-contractants*”. Obligated Buyers are accredited by the DGEC as stated in Article R314-52-3 of the French Energy Code and nominated by decree. Obligated Buyers must buy the Output produced by the Production Device at the price agreed in the “contrat d’achat”. The difference between the energy price and the feed-in tariff is then reimbursed by the French State.

Per Article L314-14 of the French Energy Code, a producer owning a Production Device being subject to one of the two mechanisms above mentioned can ask for the issuance of GOs relating to this Production Device on its own account. In this case, its Production Device would then automatically go out of the mechanism and the producer would need to reimburse part or all subsidies received through the “obligation d’achat” or “complément de rémunération” mechanisms.

If producers want to stay into one of the French feed-in tariff schemes, producers owning a renewable Production Device in France the installed capacity of which is superior to 100 kW and which benefit from a contract of “obligation d’achat” or “complément de rémunération” must register their Production Device in the Registry for the account of the Account Holder Direction Générale de l’Energie et du Climat (DGEC). GOs can then be issued by the French State who is then owner of the GOs issued and then sold to other Account Holders through auctions.

- Investment supports

There exist various investment support schemes in France at national level or regional level. Investment supports on a specific production device have to be indicated on each EECS-GO of this production device, along with the amount received.

C.4 EECS Product Rules

C.4.1. The EECS Product Rules as applied in France are set out within sections D and E of this document.

C.5 Local Deviations from the EECS Rules

French legislation differs from the EECS Rules on the following points:

- A Registrant may request EEX to issue Guarantees of Origin. Such request must be submitted to EEX no later than five (5) months after the end of the production period. A Registrant cannot request the issuance of GOs for production periods exceeding one (1) calendar month, unless the Output of a Production Device during a calendar month is less than one MWh. In that case, such Output may be carried forward for a period of up to five (5) months until the lower limit of one MWh is reached, and the production period in the request may be extended accordingly.
- EEX shall issue a number of Guarantees of Origin equal to the amount of electricity produced during the production period to which the request relates, rounding down to whole MWh. Any remaining amounts of electricity shall not be carried forward.

- According to Decree of 8th November 2007, the production of renewable electricity from a pumped storage hydro power plant fed by natural inflow as well as by pumping that can be subject to EECS-GO issuance is equal to the total electricity production from the Production Device, minus energy consumed in pumping, assuming a normative yield of 70% for pumped energy
- According to Decree of 8th November 2007, the production of energy from a municipal waste incineration plant that can be subject to EECS-GO issuance is equal to 50% of the total electricity production from the Production Device.
- According to Decree of 8th November 2007, EECS-GO can be delivered to combined Production Devices producing electricity both from biomass and combustion fuels other than those mentioned in the paragraph above, only if their fraction of non-renewable energy is less than 15% of the primary energy it consumes on a yearly average. If such is the case, then the part of electricity that is renewable and can be subject to EECS-GO issuance is equal to 85% of the whole electricity produced by the Production Device.
- The EEX Registry handles EECS-GO and EECS-GO certificates with an additional ICS label that can be used in France, according to the French legislation. EEX does not accept Non-Governmental Certificates.
- Some production devices which are not physically connected to the French power network but located at the border between France and a neighbouring country benefit from a specific agreement between France and the neighbouring country. This kind of official agreement specifies in particular the share of electricity produced which is considered as French production (even if the production device is connected to a foreign network). In that case, it is possible to issue GOs accordingly to the volume of electricity produced which is considered as French production. These cases are always agreed upon with the neighbouring registry in order to ensure that GOs are only issued once (each registry issues GOs for the share of electricity of its country). Procedure is also explained in D.3.3

D Registration

D.1 Registration of an Account Holder

D.1.1. Applications

- Any legal person who is not a member of the Association of Issuing Bodies or such member's affiliate or agent can be a participant of the EECS Scheme.
- An application to become an Account Holder is done by connecting to the public website of the Issuing Body in the "registration" section in order to obtain the registration forms (such request can also be done by phone or by regular mail to go-admission@powernext.com).
- EEX sends the applicant the documentation that must be filled in order to become an Account Holder. These documents must be completed and signed by the applicant and sent back to EEX. They include :
 - The Standard Terms and Conditions; (2 copies)
 - The admission form, including a specific questionnaire on the future activity of the Account holder on the Registry; (1 copy)
 - Identification information about the applicant (registered office address and VAT number);



EECS Domain Protocol

- A list of the senior managers and other representatives with the power to sign all of the documents relating to the operation of the Registry (authorised signatories)
- A copy of the annual report, company registration, articles of association and the senior managers' powers, prepared in accordance with the legislation of the applicant's home country.
- The completeness and the adequacy of the documents sent back to EEX by the applicant are then checked by the customer care and market surveillance team of EEX, which assess whether the applicant can be accepted. Moreover:
 - As the case may be, additional documentation may be required from the applicant;
 - Depending on the analysis of the company, a "risk profile" will be attached to it. If a company raises awareness, a specific attention will be paid to its actions on the Registry;
 - In case the market surveillance team has serious doubts regarding the applicant company, it can alert the competent authorities (Ministry or else).
- When the assessment of the application is completed by EEX and the application has been accepted, the applicant becomes an Account Holder.
- Along with the Standard Terms and Conditions, EEX sends the Account Holder the login and password which will be used to connect to the secure part of the website. For security reasons, the login and password are sent separately.
- EEX will answer any application request as quickly as possible. It should take place within one month after receipt of the complete necessary data for application.
- Tariff of services can be found on the website <http://www.powernext.com>

D.1.2. Maintenance of standing data

An Account Holder must notify EEX without any delay of any upcoming changes that will result, or unplanned changes that have resulted, in the information recorded in the EECS registry in relation to the Account Holder becoming inaccurate. The Account Holder himself is responsible for keeping the Account Holder information recorded in the EECS registry accurate. This can be done by logging onto the Registry and only by an accredited user of the Account Holder. Moreover, any change done this way will ultimately be validated by EEX.

D.2 Resignation of an Account Holder

In accordance with the Standard Terms and Conditions, the Account Holder must notify EEX of its intent to close its Account in written form. Such request shall be effective one (1) month after receipt by EEX.

Once an account is closed, the Account Holder has no longer access to the Registry. Any EECS-GOs remaining in the Account of the EECS registry at the time of locking will remain there until being expired.

Outstanding charges are still due according to the invoices received.

D.3 Registration of a Production Device



EECS Domain Protocol

D.3.1. Processes:

In order to issue EECS-GOs, the Account Holder must register Production Devices according to the processes described in the following paragraphs.

D.3.2. Application

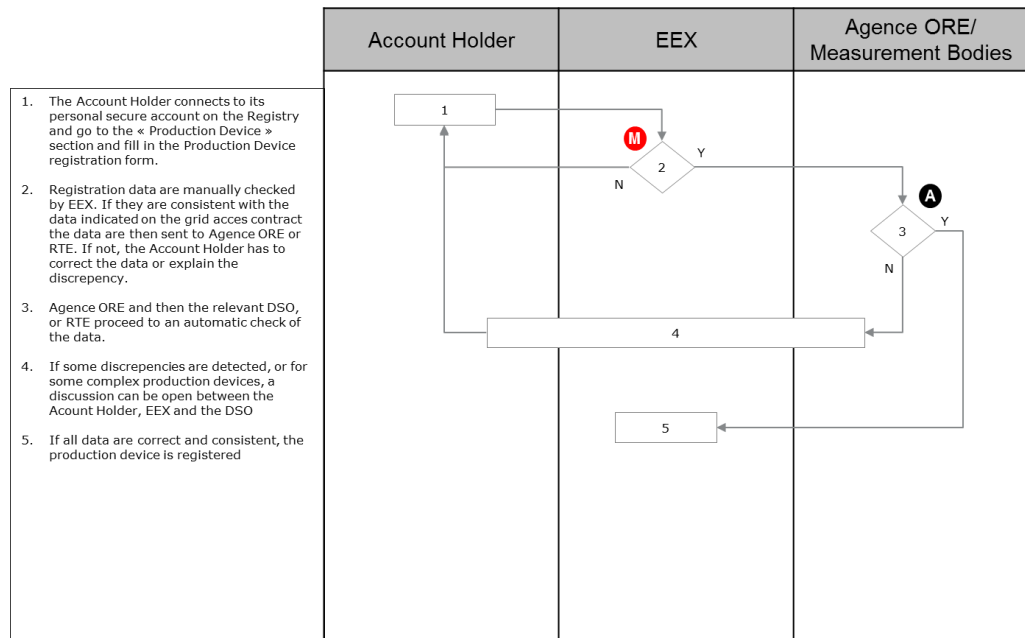
D.3.2.1. General rules

- Production Devices can only be registered if they meet the Production Device Qualification Criteria for EECS-GO and the French relevant legislation. To be qualified, Production Devices must:
 - be located in France (metropolitan or overseas). Production devices located at a border with a neighbouring country and benefiting from an official decree stating the share of the produced electricity between both countries could also be registered (procedure explained in D.3.3)
 - be capable of producing electricity using renewable energy sources or high-efficiency cogeneration,
 - and be equipped with an electricity-metering device capable of measuring the electricity produced and the electricity injected into the grid.
- Only the owner of a Production Device or a company duly authorised by the owner of a Production Device, may register a Production Device, which is located in France in the EECS registry.
- Per Article R314-69-1 of the French Energy Code, Producers owning a renewable Production Device in France the installed capacity of which is superior to 100 kW and which benefit from a contract concluded in accordance with Articles L.121-27, L311-12, L314-1, L314-18 and L314-26 of the French Energy Code (“obligation d’achat” or “complément de rémunération”) must register their Production Device in the Registry for the account of the Account Holder Direction Générale de l’Energie et du Climat (DGEC). Producers need to proceed to this registration before 4th March 2019 or within one (1) month after receiving the conformity statement mentioned in Articles R314-7 or R311-27-1 of the French Energy Code if this date is after 4th January 2019. These producers do not need to be Account Holder and are not subject to fees as the GOs issued would go to the DGEC account. This process is described in D.3.2.3. In case such a Producer would like to receive GOs on its own account, its Production Device would automatically be excluded from the French feed-in tariffs system; the Producer then would need to go through the usual procedure as described in D.3.2.2. and would pay the relevant fees.
- In case the Account Holder or its affiliate on which the Production Device is registered is not the owner or the sole owner of the Production Device, it must include in the application:
 - In case of a Production Device which is not under the French feed-in tariffs system, a power(s) of attorney signed by the (other) owner(s) of the Production Device,
 - In the case of a Production Device under the French feed-in tariffs system, the DGEC does not need any document to have the Production Device registered on its account as this is clearly indicated by law.
- In case of Production Devices being registered as participating to an operation of auto-consumption in the meaning of Article L315-7 of the French Energy Code. In this case, the Production Device should satisfy all conditions stated in Article R314-67-1 of the French Energy Code. Indeed, the Account Holder should give EEX confidence that:

- The Production Device is equipped with metering devices installed by a Measurement Body and that enables the computation of:
 - Produced quantities,
 - Auto-consumed quantities
 - Quantities injected to the grid
 - And as the case may be, quantities withdrawn from the grid.
- The Production Device is registered to the relevant Measurement Body as participating to an operation of auto-consumption.

D.3.2.2. Application for Production Devices which are not under “obligation d’achat” or “complément de rémunération”

In order to register a Production Device which is not under “obligation d’achat” or “complément de rémunération”, the following procedure applies:



- Step 1: The Account Holder must connect on its personal secure account on the Registry and go to the “Production Devices” section.
 - The Account Holder must fill in the Production Device electronic registration form (see Annex 3) and send the documentation requested about the Production Device, in accordance with the Production Device Qualification Criteria for EECS-GO and the French relevant legislation. This documentation comprises the information hereunder. This list might evolve depending on Production Device Qualification Criteria for EECS-GO and the French relevant legislation possible evolutions.
 - Production device: name, address/location, start date, commissioning date, installed capacity, the types of support if any, owner, Account Holder, transmission or distribution system operator on which the Production Device is connected, applied EECS Schemes, references of the exploitation authorization, references of the grid access contract,
 - Codes of all possible fuels which can be converted into electricity by the Production Device according to the fuel codes in AIB EECS fact Sheet,

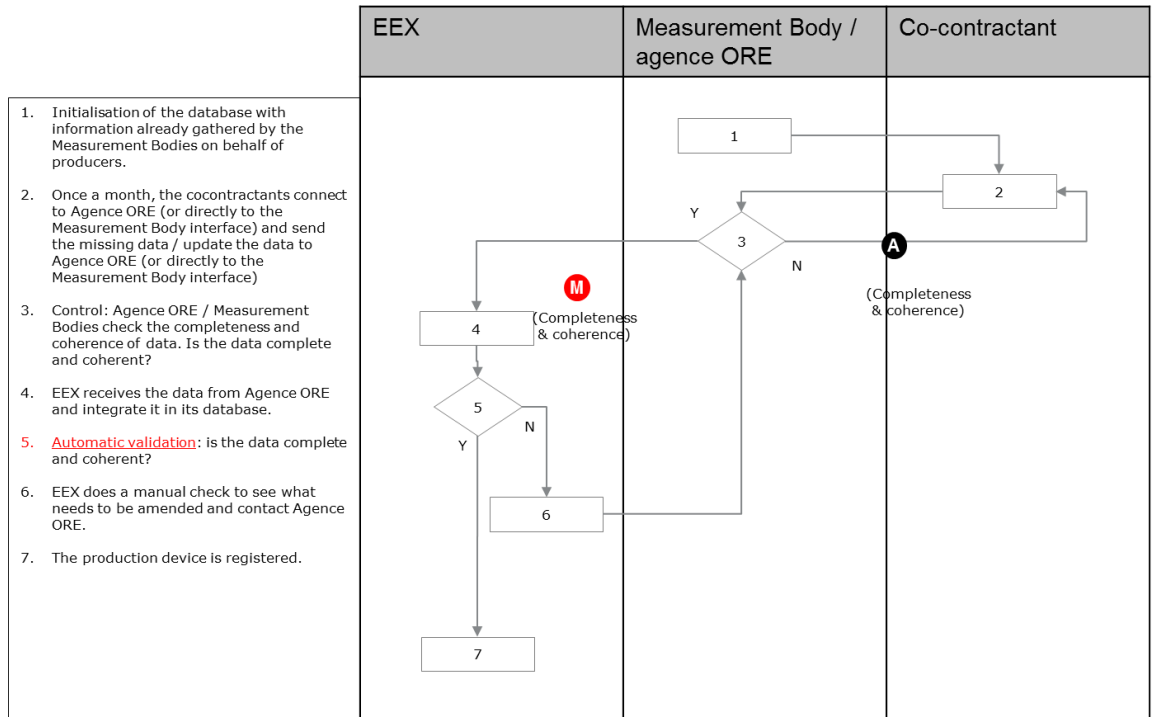


EECS Domain Protocol

- Technology code of the Production Device according to technology codes in AIB EECS Fact Sheet 5,
- Specification whether the Production Device is eligible for any kind of support scheme (especially investment support), corresponding amount and period of the scheme.
- Additional fields can be required for specific Production Devices such as cogeneration devices.
- The attention of the Account Holders is drawn to the fact that some of the required information on the Production Device will not appear on the EECS-GO. In some cases (e.g. the reference of the declaration of connection of the production device to the grid or the amount and duration of support schemes), the data will be indicated on the French EECS-GO but might be lost when the EECS-GO is exported.
- Step 2: Registration data are manually checked by EEX. If they are consistent with the data indicated on the grid access contract the data are then sent to Agence ORE or RTE. If not, the Account Holder has to correct the data or explain the discrepancy.
- Step 3: Agence ORE and then the relevant DSO, or RTE proceed to an automatic check of the data (except potential information of investment support and label).
- Step 4: In some cases the data available to the Account Holder are outdated. In that case the Agence ORE, or the DSO/TSO indicates the updated data which must be changed in the registry by the Account Holder. For some complex production devices, it can be needed to discuss between all parties to determine the correct formula for the GO volumes to be issued.
- Metering data of each Production Device are sent as described in E.2.
- Tariffs for registering a Production Device are disclosed on the website www.powernext.com and [in the Arrêté du 24 août 2018 désignant l'organisme en charge du registre national des garanties d'origine.](#)

D.3.2.3. Application for Production Devices which are under “obligation d’achat” or “complément de rémunération” and the installed capacity of which exceeds 100 kW

In order to register a Production Device which is under “obligation d’achat” or “complément de rémunération”, the following procedure applies:



- Step 1: Once a month, measurement Bodies are gathering a database with information on all Production Devices on behalf of Producers. These data are sent by the obligated buyers (also called “co-contractant”) by connecting to the Agence ORE website, available on this webpage: <https://garanties-origine.agenceore.fr/>.
- Step 2: Measurement Bodies are controlling the quality of data received by Producers and co-contractants. If the controls are positive, then the data is sent to EEX. If not, additional exchanges of information happen with the Producers and/or co-contractants until the data is coherent for the Measurement Bodies.
- Step 4: Data are integrated to the EEX database.
- Step 5, 6 & 7: Data are further checked by EEX and only validated if all controls are valid. If all controls are successful, the Production Device is registered. If not, further questions are asked to the Measurement Bodies. Eventually, Production Devices might not be registered for some time in case the data received are incoherent.
- Metering data of each Production Device are sent as described in E.2.
- The registration of these Production Devices by Producers or on their behalf by co-contractant is free of charge. Fees are here dealt directly with the DGEC.

D.3.3. Production devices located on border between domains

For plants being located on border with other domains, EEX will notify the Competent Body for EECS-GO in the respective domain in order to agree on the possibilities to register the Production Device. Such agreement shall particularly ensure that double issuing of EECS-GO is excluded.

D.4 De-Registration of a Production Device

The Registrant must notify EEX in the GO Registry of its intention to unregister a Production Device via written form. The applicant must warn EEX at least 15 business days in advance of its intention of de-registering a Production Device. EEX will answer the request by deactivating the Production Device in the shortest delay and at maximum in a one-(1) month period of time.

Re-registration requirements are similar to the registration requirements described in D.3.2. Outstanding charges are still due according to the invoices received.

D.5 Maintenance of Production Device Registration Data

D.5.1. The Registrant of a Production Device or the obligated buyer (“co-contractant”) in case of a Production Device under feed-in tariff must notify EEX of any upcoming planned changes that will result, or unplanned changes that have resulted, in:

- the information recorded in the EECS registry in relation to the Production Device becoming inaccurate; or
- the Qualification Criteria for the EECS Product ceasing to be satisfied with respect to that Production Device.

The Registrant notifies EEX of such changes by making the necessary amendments to Production Device information in the EECS registry according to the procedure described in D.3.2.2 or D.3.2.3.

On receipt of a change of details notification (following an inspection or otherwise), EEX will evaluate the impact of the changes on the Production Device Qualifying Criteria and respond to the Registrant within sixty (60) days specifying the decision taken. EEX may respond to the changes by approving or disapproving them in the EECS registry, or by requiring verification by the relevant Transmission or Distribution System Operator. If EEX does approve the change, the Production Device is modified with an “effective date” associated to the change. Certificates issued after the “effective date” will contain the new characteristics of the production device.

When EEX becomes aware that a Production Device no longer fulfils, or will no longer fulfil, the Production Device Qualification Criteria, the EECS registry record for that Production Device will be updated to show that the Production Device no longer qualifies for EECS-GO Product Certificates with effect from:

- the date on which such planned changes are due to come into effect, when such change has been planned and notified in advance; or
- as soon as reasonably practicable after becoming so aware, in case of other changes.

D.6 Audit of Registered Production Devices

D.6.1. Regular checks by EEX

Pursuant to Article R314-69 of the French Energy Code, EEX shall verify the accuracy of the data given in the requests for issuance that it has received with the support of Transmission System Operators and Distribution System Operators if needed.

When checking a Production Device, EEX will verify together with the Account Holder that the data on the Production Device have not changed. In case a change is reported, the relevant Grid Operator will be contacted. This can be done more frequently than once every (5) five years.

D.6.2. Regular check of the Production Devices with the Transmission and Distribution System Operators

Measurement Bodies check the data on Production Devices during the registration process. EEX will re-submit the data for a new automatic check on a regular basis (at least every 5 years). In case of a change, the procedure described in D.5.1. will apply.

D.6.3. On-site audits are performed to a sample of production devices by EEX

Registered Production Devices which have been used for requests or procurement of EECS-GOs can be subject to on-site audits.

This process is distinctive as it is mostly managed outside the software tool and implicates both functional operators and auditors.

The process described hereunder targets the cases where the auditor:

- belongs to the EEX employees authorized by regional prefects for this task or
- is a subcontractor chosen by EEX and whose employees have been authorized by regional prefects for this task.

Audits are carried out according to a procedure, methods and evaluation criteria which are transparent and in conformity with Article R314-68 of the French Energy Code. This process is described hereunder:

- A notification is sent to the Account Holder (and to the owner of the Production Device if the Account Holder has a power of attorney).
- The Account Holder (and the owner of the Production Device if applicable) answer on its availability.
- The audit is carried out by the agent who verifies the accuracy of the data communicated to the Registry. A specific attention is drawn to the Production Device Diagram, the place of the Meters and the calculation of the net energy certified.
- The result of the audit is communicated to the operational team of the Registry.
- If the result of the audit is positive, the operator indicates that the Production Device has been audited and is in conformity with the registration. The Account Holder is notified of this.
- A report stating the date, location and nature of the observations made and testifying of the conformity with the declaration made on the Registry is sent to the Account Holder and to the regional prefect.
 - If the result of the audit is negative, the operator indicates on the Registry interface that the Production Device has been audited and is not compliant. The Account Holder is notified of this and the Production Device is deactivated.

If it appears that EECS-GOs were inaccurately issued as a result of this error, then the procedure described in E.9 may apply.

- A report stating the date, location and nature of the observations made and testifying of the non-conformity with the declaration made on the Registry is sent to the Account Holder and to the regional prefect.
- After deactivation of the Production Device, the Account Holder cannot request issuance of EECS-GOs for this Production Device.
- In order for the Production Device to be reactivated, the Account Holder will have to ask for an additional audit, which will be invoiced to it.
- The Production Device will be reactivated only if the new audit is positive.

All the Production Devices registered can be subject to on-site audits. Peculiar attention will be paid to the Production Devices whose EECS-GO's issuance follows particular rules such as, for instance, pumped storage hydro power plants, biomass production devices, cogeneration devices, production devices combining both renewable and non-renewable sources.

For on-site audits of Production Devices carried out in accordance with the Article R314-68 of the French Energy Code, the Production auditors can either be employees from EEX authorized by regional prefects or subcontractors appointed by EEX whose employees have been authorized by regional prefects. For consumption declaration approvals in case of biomass "combined" production devices and cogeneration plants, Production Auditors must be independent from the owner of the Production Device and need to be accredited by EEX; they do not however need to be authorized by regional prefects. The process of accreditation is the following: the legal entity (or the person) wanting to become a Production Auditor needs to apply for such a role, by sending to EEX a formal letter along with its credentials. On the basis of this application, EEX will decide whether or not to approve such applicant. The answer will be given within two months following the receipt of the letter by EEX.

From its date of registration and until its deregistration from the database, the Production Device can be audited on-site by authorized agents at any time.

- D.6.4. Account Holders and owners of Production Devices agree to grant access to EEX agents for on-site audits. Refusal to permit access shall be considered a breach of the Standard Terms and Conditions.
- D.6.5. If an inspection identifies material differences from the details recorded on the EECS Registration Database, the Registrant must re-apply for registration of the Production Device.

D.7 Registration Error/Exception Handling

D.7.1. Any errors in EECS Certificates resulting from an error in the registered data of a Production Device will be handled in accordance with section E.9.

D.7.2. Error handling

If EEX detects errors in the Account Holder information, it will notify the Account Holder in order to ensure that the error is rectified by the Account Holder. If expressly authorised by the Account Holder, EEX may rectify the error itself.

If EEX detects an error in the information of a Production Device in the EECS Registry, the following procedure is applied:

- If the error is minor and that the Production Device is still eligible for EECS-GOs issuance, then EEX will notify the Account Holder in order to ensure that



EECS Domain Protocol

the error is rectified by the Account Holder. If expressly authorised by the Account Holder, EEX may rectify the error itself;

- If the error means that the Production Device ceases to be eligible for EECS-GOs issuance, then the Production Device is deactivated. For the Production Device to be reactivated, the Account Holder will have to ask for an onsite audit, as described in Section D.6, which will be invoiced to it. If it appears that EECS-GOs were inaccurately issued as a result of this error, then the procedure described in E.9 may apply.
- When appropriate, EEX will report to the AIB in respect of the Section F.3.2.



E Certificate Systems Administration

E.1 Issuing EECS Certificates

EECS-GOs can be issued:

- in respect of the qualifying energy Output of such a Production Device during any period in which it was registered in the EEX Registry for the purpose of the EECS-GO Scheme; and
- for a production period of one (1) month, it can be of a longer period in case of very small plants if the monthly production is fewer than one MWh. Even in that case, they can never exceed five (5) months; and
- when the issuing request for a specific production was submitted not later than 5 months after end of the production period; and
- to an Account Holder who does not have any outstanding fees payable to EEX in conjunction with EECS-GOs; and
- Each unit of qualifying energy output can only be certified once for electricity disclosure.

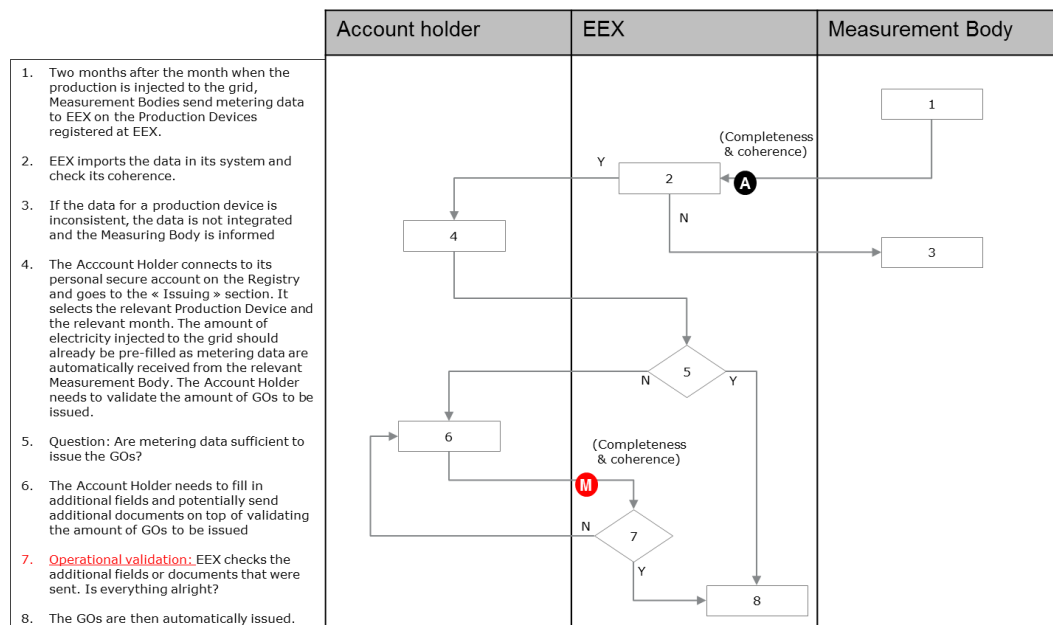
One EECS-GO is issued for each whole one MWh of qualifying net energy of the Production Device. GOs should be issued on what has been injected to the grid, excluding consumption of any auxiliaries.

There is one exception to this rule in case of Production Devices being registered as participating to an operation of auto-consumption in the meaning of Article L315-7 of the French Energy Code. In this case, the Production Device should satisfy all conditions stated in Article R314-67-1 of the French Energy Code and stated in D.3.2.1. ; GOs can be issued both on what has been injected to the grid and on what has been auto-consumed, except the consumption of auxiliaries. EEX would receive the metering data requested in D.3.2.1. On receiving these information, the same procedure would apply as described in E2 for classic production devices. The GOs issued on the production which is not injected to the grid need to be cancelled directly after being issued. They hence cannot be transferred (including exported).

The EECS-GOs shall be issued in such format as may be determined by the AIB from time to time and including the details in accordance to the relevant French Law and the AIB standards.

E.2 Processes

Issuance of EECS-GOs is done according to the process described in the chart and - in the paragraphs hereunder.



- Once a Production Device has been registered and activated, the Account Holder to which the Production Device relates can request the issuance of EECS-GOs for electricity production starting at the latest of the following date:
 - when the Production Device has been commissioned or
 - If applicable, when the Production Device has been transferred to a new Account Holder (either as owner or as beneficiary of a power of attorney) or
 - if applicable, when the Production Device has left or entered the feed-in tariffs mechanism (purchasing obligation system).
- Only the DGEC can ask for the issuance of GOs from Production Devices that are under a French feed-in tariff scheme.
- In order to obtain this issuance, the Account Holder connects to its personal secure account on the Registry in the “issuance” section. It is then requested to fill in an electronic form with the relevant information for such issuance:
 - Start date and end date of the production period: this period shall coincide with measurement data (in general, periods should be one month or a multiple of a month; except in specific cases such as the first GO issued from the Production Device concerned). The production end date shall be at the maximum five (5) months before the issuance of GOs is requested.
 - Net production of renewable electricity injected to the grid for the relevant period. Net production means the electricity produced by the Production Device excluding consumption of auxiliary devices of the Production Device or any production which cannot be subject to EECS-GOs. This data is automatically pre-filled with metering data received from the Measurement Bodies, between one and two months after the

production period. Account Holders are requested to check this value before asking for issuance. In case of question, they should contact the operational teams of EEX.

- For energy storage Production Devices, for Production Devices using combustion fuels and for cogeneration, net renewable electricity produced should respectively be considered such as described in E.4, E.5 and E.6. .
- Additional fields can be required for specific Production Devices such as cogeneration devices.
- For Production Devices which are outside any feed-in tariff scheme, when additional information than the metering data already sent by the Measurement Bodies are needed (or when the data has not been received from the measuring body), the completeness and the adequacy of the data and documents sent to EEX by the Account Holder are then checked by EEX. As the case may be, the Account Holder may also be requested to send additional information. Specifically in case of cogeneration or “combined” Production Devices, additional documents are required in order to check the additional data required as mentioned in E5 and E6. If the outcome of this check is negative, the Account Holder is required to modify its request.
- For Production Devices which are within a feed-in tariff scheme, when additional information than the metering data already sent by the Measurement Bodies are needed, the Producer or the obligated buyer needs to send this information to the relevant Measurement Body. This information will then be passed through to EEX, within the same system as the metering data. EEX may check this information and the same procedure as the previous paragraph would then apply.
- EEX will answer any issuing request as quickly as possible. According to Article R314-63 of the French Energy Code, issuing should take place within thirty (30) days after receipt of the complete necessary data for issuance. In case of EECS-GO issuance from a new Production Device or from a Production Device connected to a Distribution System Operator, this delay is increased up to sixty (60) days.

E.3 Measurement

- The EECS GOs are awarded for the amount of electricity production from renewable resources or High Efficient Cogeneration, as described in E2.
- Frequency of measurement. Measurement bodies send measuring data to EEX on a monthly basis.
- The verification is carried out on the net production of renewable electricity injected to the grid for the relevant period. For energy storage Production Devices, for combined production devices using both combustion fuels and for cogeneration, net renewable electricity produced should respectively be considered such as described in E.4, E.5 and E.6. This must ensure that the certificates issued based on the Production Declaration can provide unique and exclusive evidence of the production of electricity from particular energy sources.
- The metering devices in place should correspond to the technical standards approved by CRE (Commission de Régulation de l’Energie) and defined by the different Transmission System Operators and Distribution System Operators in the respective documents “conditions techniques d’accès aux réseaux publics d’électricité”, available on the following website <http://www.cre.fr/reseaux/reseaux-publics-d-electricite/raccordement>.
- The verification of the measurement is carried out as described in paragraph E.2.

- The DSO or TSO is responsible for the measurement data it sends to EEX.

E.4 Energy Storage (Including Pumped Storage)

- According to Decree of 8th November 2007, the production of renewable electricity from a pumped storage hydro power plant fed by natural inflow as well as by pumping that can be subject to EECS-GO issuance is equal to the total electricity production from the Production Device, minus energy consumed in pumping, assuming a normative yield of 70% for pumped energy.
- Metering data of both the production and the pumping consumption must be sent to EEX.

E.5 Combustion Fuels (e.g. Biomass)

- According to Decree of 8th November 2007, implementing Article R314 of the French Energy Code, the production of energy from a municipal waste incineration plant that can be subject to EECS-GO issuance is equal to 50% of the total electricity production from the Production Device.
- According to Decree of 8th November 2007, implementing Article R314 of the French Energy Code, EECS-GO can be delivered to combined Production Devices producing electricity both from biomass and combustion fuels other than those mentioned in the paragraph above, only if their fraction of non-renewable energy is less than 15% of the primary energy it consumes, on a yearly average. If such is the case, then the part of electricity that is renewable and can be subject to EECS-GO issuance is equal to 85% of the whole electricity produced by the Production Device. This yearly average is calculated on the basis of the previous calendar year or on the basis of the expected values for new Production Devices. In order to prove this data, a specific consumption declaration reviewed by a Production Auditor has to be sent to EEX. This document has to be sent to EEX on a yearly basis within one (1) month after the end of each calendar year. This document also needs to be sent when the Production Device is registered for the first time. The Production Auditor shall be preliminarily accredited by EEX following the process described in D.6.3. Depending on the results of the auditor's statement and taking into account Decree of 8th November 2007, implementing Article R314 of the French Energy Code, EEX will decide whether or not to issue EECS-GO for the following calendar year. The EECS-GOs issued from such Production Devices indicate the fraction of non-renewable energy produced on the primary energy the Production Device consumes.

E.6 Cogeneration Production Devices

- The way to calculate the amount of production on which EECS-GOs can be issued is fully in line with Directive n°2012/27/EC.
- According to Decree of 8th November 2007, implementing Article R314 of the French Energy Code, amongst cogeneration Production Devices, only those justifying a ratio of more than 10% of primary energy saving calculated according to Annex I and II of the here-mentioned Decree can issue guarantees of origin. According to the same Decree, a cogeneration Production Device, the installed capacity of which is below 1 MW, can be considered eligible to the issuance of guarantees of origin if their energy savings are higher than 0%, as opposed to the 10% limit set for larger devices.
- According to Decree of 8th November 2007, implementing Article R314 of the French Energy Code, the production of electricity from cogeneration that can be subject to GOs is equal to:
 - the entire electricity production in case



EECS Domain Protocol

- the Production Device has a global annual yield of more than 80% and is a combined cycle gas turbine with heat recovery or a steam turbine with condensation turbine (closed cycle),
- the Production Device has a global annual yield of more than 75% and is another type of cogeneration plants (according to EECS types of production devices fact sheets)
- the quantity of heat issued from the production device multiplied by the power to heat ratio, as calculated in annex I and II of Decree of 8th November 2007, implementing Article R314 of the French Energy Code.
 - In order to facilitate calculation of the number of MWh to be issued, EEX asks the Account Holder to use the Excel file “AIB CHP-GO model” and to send it back to the market operations team of EEX. Specific attention will be paid to those production devices, in particular for *in situ* audits.
 - In order to prove this data, a specific consumption declaration reviewed by a Production Auditor has to be sent to EEX. This document has to be sent to EEX on a yearly basis within one (1) month after the end of each calendar year. This document also needs to be sent when the Production Device is registered for the first time. The Production Auditor shall be preliminarily accredited by EEX following the process described in D.6.3. Depending on the results of the auditor’s statement and taking into account Decree of 8th November 2007, implementing Article R314 of the French Energy Code, EEX will decide whether or not to issue EECS-GO for the following calendar year and how many.
- According to Article R314-61 of the French Energy Code, additional information are needed for the issuance of GOs for high-efficient cogeneration:
 - The thermal capacity of the Production Device
 - The lower calorific value of fuel used
 - The efficiency of the Production Device
 - The quantity of heat produced together with the electricity during the production period
 - The use of heat
 - The primary energy saved expressed as a percentage according to Annex II of the Directive n°2012/27/EC

The information previously mentioned will be included on guarantees issued for high-efficient cogeneration.

E.7 Format

- E.7.1. EECS Certificates shall be Issued in such format as may be determined by the AIB from time to time.

E.8 Transferring EECS Certificates

The Account Holder can transfer EECS-GO to another Account in the same EECS-registry or to another EECS registry for EECS-GO in another Domain through the Registry website.



EECS Domain Protocol

Only persons duly authorized by the Account Holder may request the transfer of EECS-GO out of that Account Holder's Transferable Account.

Only EECS-GO can be transferred from and to the EEX Registry. This excludes the transfer of cancelled or expired EECS-GO. In particular, only EECS-GO still valid according to French law can be imported in the EEX Registry. EECS-GO with additional label (ICS products) can also be transferred from and to the EEX Registry. Only RES EECS-GO and CHP EECS-GO can be imported to and exported from the EEX Registry.

E.8.1. The initiation of transfers is made by the selling Account Holder.

E.8.2. The transfer of EECS-GO and the confirmation of that transfer are done in accordance with the following procedure:

- The selling Account Holder connects to its personal secure account on the Registry and goes to the "Transfer" section. It is then requested to indicate the beneficiary Account Holder of the transfer (from the EEX Registry or from another AIB registry) as well as the EECS-GO from one of its Transferable Accounts to be transferred. This excludes withdrawn, expired or already cancelled EECS-GOs that are in his cancellation account.
- An automatic check is carried out in order to ascertain whether the information given by the applicant at this stage is sufficient and adequate.
- In the case of an import, the AIB hub sends to EEX an import request of EECS-GOs from an Account Holder in another AIB registry. This request details the EECS-GOs to be transferred to a specific Account Holder in the EEX Registry.
- The information given by the Account Holder or by the AIB hub (in the case of an import) is then automatically checked by EEX (type of certificates allowed in the French registry). In case of an export or an import, the operator might contact the other AIB registry in which the counterpart is localized in order to be sure of the identity of the other counterpart or for any other information regarding the transfer. As the case may be, the Account Holder may also be requested to send additional information.
- In the case of an export, data are sent to the relevant AIB registry via the AIB hub, which may accept or refuse the export. If the beneficiary (or the relevant AIB registry in the case of an export) refuses the transfer, the transfer is cancelled and the EECS-GO certificates are returned to the original transferable account of the Account Holder; the selling Account Holder is notified of the rejection. If the beneficiary confirms the transfer, the EECS-GO are withdrawn from the Account of the selling Account Holder and transferred to the Account of the beneficiary. Both Account Holders are notified of the transfer of the EECS-GOs.

E.8.3. Specific case of GOs coming from auto-consumed production

- As stated in E.1, GOs issued for auto-consumed production cannot be transferred and are directly cancelled after issuance.

E.8.4. Specific case of GOs under feed-in tariffs:

- All GOs under feed-in tariffs are on the DGEC account. The DGEC will sell part or all GOs from the Production Devices registered on its account through auctions organised by EEX.
- EEX is responsible for organising auctions on GOs issued from Production Devices under feed-in tariffs. The DGEC will sell part or all GOs from the Production Devices registered on its account. Auction sessions are organized on a monthly basis.
- The auction system is distinct from the registry system. Companies willing to buy GOs through the auction organised by EEX however need to be Account Holders



EECS Domain Protocol

on EEX Registry. Account Holders wishing to participate to the auction system need to sign additional membership documents and to comply with the EEX French Guarantees of Origin Auction General Terms and Conditions.

- At the end of the auction process, GOs will be transferred from the DGEC account to the buyers' accounts via a normal transfer. This transfer would however be automatically accepted by the beneficiaries (buyers) without any additional confirmation needed.
- For more information on the auction process, please contact go-admission@powernext.com

E.8.5. Administration of malfunctions, corrections and errors

EEX has the right to perform corrective actions such as withdrawal or transfer of EECS-GOs in the EEX Registry. Should EEX notice an error in another EECS registry, it will contact the other registry in order for a solution to be found.

E.8.6. Where it is impossible to transfer for technical reasons, this can be overcome by cancelling certificates for use in another domain, with the agreement of the importing issuing body. Any such cancellations are notified to the "importing" issuing body and the AIB Secretariat.

E.9 Administration of Malfunctions, Corrections and Errors

E.9.1. Once issued, the details of an EECS Certificate cannot be altered or deleted except to correct an error.

In the event that it transpires that the data in any EECS-GOs is inaccurate (whether or not through an act or omission of the Registrant of the originating Production Device):

- EEX shall either withdraw those Certificates (provided that such EECS-GOs are, at the time of such Withdrawal, in the Transfer Account of that Registrant) or correct this error on the following months by issuing more or less EECS-GOs from the same Production Device of the Account Holder. In case the Production Device is not active anymore, the Certificates from similar Production Devices could be withdrawn ; and
- The Account Holder shall pay EEX the cost of securing the agreement of another Account Holder to the Withdrawal of EECS-GOs of the same type from that other Account Holder's Transfer Account, so that, as far as reasonably practicable, EECS-GOs are withdrawn with an adequate volume and financial value.
- In case the Certificates are no longer in the French domain, EEX might cooperate with other Issuing Bodies to withdraw the erroneous Certificates.

EEX may also alter EECS-GOs held in its EECS registry so as to rectify an error which occurred prior to its transfer into the Account in which it is held at such time, provided:

- the Account Holder has agreed to such alteration;
- it is reasonably satisfied that any unjust enrichment of a EECS Participant as a consequence of such error has, to the extent reasonably practicable, been nullified;
- it is reasonably satisfied that the alteration itself does not give rise to undue enrichment of the Account Holder.

E.9.2. In case of international transfer failure, EEX immediately reacts as soon as possible in order to correct the transfer and avoid any risk of double counting of GOs. The French

GO Registry is checked every business day so that transfer failure issues are addressed quickly.

- When a transfer failed, EEX first contacts (or is contacted by) the SuperUser of the AIB Hub. EEX confirms whether the EECS-GOs are still in the French GO Registry or if the EECS-GOs are already deleted from the Transferrable Account of the Account Holder.
 - In case the EECS-GOs are still in the French GO Registry, then EEX retry the transfer, after having corrected the potential technical errors.
 - In case the EECS-GOs are not in the French GO Registry anymore, EEX immediately contact the other registry to confirm the transfer.
- When an obvious error has occurred and is agreed between two registries, EEX can modify the corresponding EECS-GO even if EEX was not the Issuing Body for this EECS-GO.

E.10 End of Life of EECS Certificates – Cancellation

E.10.1. Cancellation is removing a Certificate from circulation. Once cancelled, a Certificate cannot be moved to any other account, and so is no longer tradable.

E.10.2. The initiation of Cancellations is undergone by the relevant Account Holder in accordance with the following procedure:

- The Account Holder connects to its personal secure account on the Registry and goes to the “Cancellation” section.
- The Account Holder specifies the EECS-GO to be cancelled amongst the list EECS-GOs in one of its Transferable Accounts. This excludes withdrawn, expired or already cancelled EECS-GO. The Account Holder can specify as well the country of consumption (being mandatorily “France”, with the only exception of ex-domain cancellations), cancellation purpose, usage category (being mandatorily disclosure), name, type and location of beneficiary and related consumption period.

For GOs issued that concern auto-consumed electricity, the cancellation is done directly after the issuance. The Account Holder does not even need to request the cancellation, this is done automatically.

E.10.3. The cancellation of Certificates is automated. When an Account Holder asks for the cancellation of EECS-GO, an automatic check is carried out. If the data are not correct, the cancellation of the EECS-GO is abandoned. If the data are indeed correct, the GOs are cancelled. Cancelled Certificates are removed from the Transferable Account of the Account Holder and cannot be cancelled or transferred anymore.

E.10.4. The confirmation of the success or failure of a cancellation is notified to the Account Holder by EEX. In case of success, a document (cancellation statement) can be downloaded by the Account Holder through the Registry by EEX confirming the cancellation of the EECS-GO Certificates (see E.9.6 Forms). In case of rejection of a cancellation, the Account Holder is furthermore explicitly notified by EEX about the rejection and the reasons for it.

E.10.5. Only EECS-GOs relating to renewable electricity and cogeneration may be cancelled in the EEX registry.

E.10.6. A cancellation statement can be printed out from the Registry by the Account Holder organisation that has performed the cancellation. A template is available in Annex 5.

E.10.7. Ex-domain cancellations can only be permitted for European countries where Registries do not have access to the AIB Hub and cannot import Certificates electronically.



EECS Domain Protocol

E.11 End of Life of EECS Certificates – Expiry

- E.11.1. EECS Certificates which have expired are no longer valid for cancellation nor transfer.
- E.11.2. In accordance with legal regulations, EECS-GOs expire one (1) year after the end of the respective production period.
- E.11.3. EECS Certificates expire automatically after the legal expiry date.
- E.11.4. Imports of Certificates that have already expired are prevented.

E.12 End of Life of EECS Certificates – Withdrawal

- E.12.1. EEX may withdraw an EECS-GO held in a Transfer Account on its EECS registry at the request of the Account Holder of that Account, or otherwise in accordance with the provisions of the relevant Product Rules, thereby withdrawing it. Withdrawal of Certificates can occur following errors as described on E.9.
- E.12.2. EEX may withdraw an EECS Certificate held in its EECS Registration Database to give effect to an agreement reached with an EECS Market Participant under provisions of its Standard Terms and Conditions.
- E.12.3. When EEX withdraws an EECS-GO, it no longer appears on the Account Holder account and it is no longer transferable nor eligible to be cancelled.

F Activity Reporting

F.1 Public Reports

F.1.1. EEX publishes on a monthly basis the list of EECS GOs which have been issued, imported, exported and cancelled on the registry. Data are available on EEX website: <http://www.powernext.com>) and follows the French legislation requirements. Data includes: the ID Number of the GO, date of delivery or import, name of the account holder having issued the Certificate (if issued in France) or having imported the Certificate, Legal form of the Account Holder, Production Device Name, Production Device Location, Production Device installed capacity, Production Device commissioning date, Energy Source, National support type, production start date, production end date, quantity certified, cancellation or export date, name of the Account Holder having cancelled or exported the Certificate.

F.2 Record Retention

F.2.1. Retention of printed and electronic information regarding registries and data is done in accordance with the following table:

Data	Time	Medium
Standard Terms and Conditions and its appendices	Minimum 5 years (paper) and 10 years (scans) after termination of contract	Both paper and electronic archive (scans)
Production Device Registration forms, audit reports	Minimum 10 years after de-registration	Electronic forms
Issuing Request (Consumption Declaration / Production Declarations)	Minimum 10 years	Electronic forms
Transaction data	Minimum 10 years	Database backups

F.3 Orderly Market Reporting

F.3.1. When appropriate, EEX will report failures by EECS Market Participants to comply with the provisions of Product Rules to the Competent Authorities. Such failures include behaviour by EECS Market Participants of which EEX is aware and which, in its reasonable opinion, amounts to a breach of Competition Law, or applicable law governing the conduct of financial markets.

F.3.2. When appropriate, EEX will notify the AIB of any report made by it under Section F.3.1 and will provide the AIB with as much information in relation to such report as is consistent with any duty of confidentiality it may have to the relevant EECS Market Participant(s).

G Association of Issuing Bodies

G.1 Membership

G.1.1. EEX considers AIB membership as a paramount point to remove possible barriers that might impair GO's imports and exports.

G.1.2. In the case EEX would be replaced by other Issuing Body for the French domain by a new Decree, AIB would be informed immediately. In this situation, EEX would take the necessary actions to guarantee a right transition to the new Issuing Body.

G.2 Complaints to the AIB

G.2.1. Account Holders can send complaints and questions by email to GO-support@powernext.com. For complaints related to AIB, EEX will be the liaison and will respond back to the participant.

H Change Control

H.1 Complaints to EEX

EEX endeavour to deal with complaints received as soon as possible. Complaints can be filed by email, phone call confirmed by email or registered letter. They should be addressed to the relevant contact listed in Annex 1, according to whether the complaint concerns general, operational or administrative issues.

EEX will answer within five (5) working days after receipt of such complaint, informing the customer of the applicable procedures. EEX strives to resolve all complaints within one (1) month. Where for whatever reason this proves impossible, EEX will inform the customer of the reason for the delay and keep them informed on further progress. Upon resolution of a complaint, EEX will send written confirmation of the outcome.

H.2 Change Requests

An Account Holder may propose a modification to this Domain Protocol.

Such a proposal will include a detailed description, including an exact specification of any proposed modification of this Domain Protocol and be passed in writing to EEX.

On receipt of such a request, EEX will:

- respond to the request, describing the procedures to be followed, and estimating when a reply can be expected;
- consult with the other EECS Account Holders within France that might be affected by such a modification;
- decide whether the request and its consequences are in its opinion reasonable;
- inform the EECS Account Holders within France on the outcome of its decision.

EEX may make such modifications to this Domain Protocol as are in its opinion necessary to the effective and efficient operation of the market.

Subject to applicable law, any modifications to this Domain Protocol are subject to approval by the AIB that such changes do not conflict with the EECS Rules.



EECS Domain Protocol

Implementation of modifications will be notified by email to the Account Holder and will take effect on publication of the documentation on the website : www.powernext.com.



EECS Domain Protocol

Annex 1: Contacts List

Authorised Issuing Body/Registry Operator

For questions regarding the admission of an Account Holder or operational questions, please contact:

Company	EEX
Contact Persons	Registry Support Team
Address	5 boulevard Montmartre – 75002 PARIS
Country	France
Phone	+33 1 73 03 76 88 / + 33 1 73 03 76 70
e-mail	GO-support@powernext.com

If the operational question asked need to involve Measurement Bodies, EEX will contact them. Here is the list of Measurement Bodies in France:

- RTE (Réseau de Transport d'Electricité)
- Enedis
- List of Local Distribution Companies (Entreprises locales de distribution en France – ELD) available on the following website : https://www.data.gouv.fr/fr/datasets/referentiel-des-distributeurs-denergie/#_



EECS Domain Protocol

Annex 2: Account Application/Amendment Form

The Account Application Form can be found on EEX website : www.powernext.com).

Annex 3: Device Registration Form

This form is available under electronic form. Production Devices must be registered on the Registry website. The Account Holder needs to connect to its personal secure account on the Registry.

Home
Account Holder
Production devices
Guarantees of Origin
Validations management³

Production devices >> Add production device

Production devices list

Add a device

Add production device

General information

Powernext contact details

GO-
support@powernext.com
+33 1 73 03 96 28
5 bd Montmartre
75002 PARIS

Device	<input type="text"/>	Start date of the PoA	<input type="text"/>	
Reference of the grid access contract	<input type="text"/>	Couting service reference	<input type="text"/>	Reference of the exploitation authorization receipt
Counting point	<input type="text"/>			

Informations sur les acteurs

Informations sur le type d'aide

TSO / DSO

Are you the holder of the grid access contract?

Legal entity

Address

Zip code

RTE

No

Owner identification (SIRET)

Address (2)

City

Country: France

Informations techniques et localisations

Informations diverses

National supports

SO

Address	<input type="text"/>	Address (2)	<input type="text"/>	Zip code
City	<input type="text"/>	Country	France	Commissioning date
Capacity	<input type="text"/>			
Type of connection	Direct			
Device type	Solar			
Source(s)	<input type="button" value="Add energy source"/>			
Device under self consumption ?	No			

Device label

Metering formula
Example: (9999999) - (8888888) - (7777777)

Emission coefficient

	Label	from	to
<input type="checkbox"/>	TUV SUD Generation EE	<input type="text"/>	<input type="text"/>
<input type="checkbox"/>	naturemade	<input type="text"/>	<input type="text"/>
<input type="checkbox"/>	naturemade star	<input type="text"/>	<input type="text"/>

Documents to provide

Please send the following documents to GO-support@powernext.com:

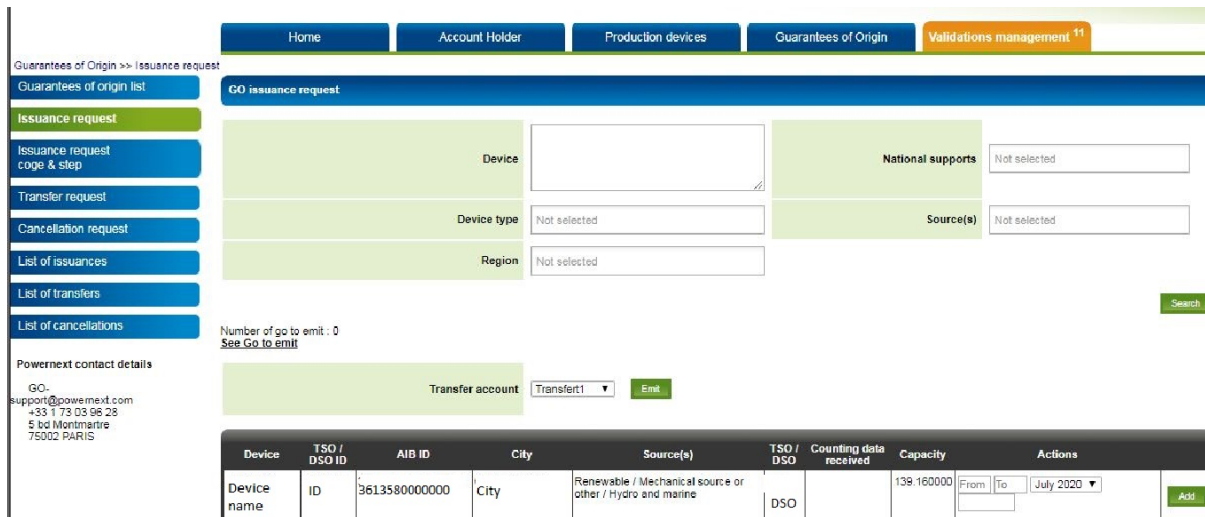
- Copy of the grid access contract, containing an electrical diagram of the Production Device with location of export meters, import meters, generating auxiliaries and transformer substations and all generators.
- Copy of the receipt of the production declaration or authorization delivered according to decree of 7 th September 2000.
- If applicable, copy of the purchasing contract (articles L. 121-27, L. 311-12 et L. 314-1 of the French Energy code).
- When the Account Holder is not the owner of the production device, a mandate linking the two counterparts and a K-Bis extract of the owner's company.

I hereby certify that the information provided in this form are accurate and that I comply with the Domain Protocol of Powernext.

Annex 4: Production/Consumption Declaration

This form is available under electronic form. The Account Holder needs to connect to its personal secure account on the Registry. EECS-GOs are issued according to data filled in the electronic version of the registry. In case of EECS-GOs from a cogeneration production device, the Account Holder needs to add the Excel file “CHP-GO model” to its online demand.

- Standard Case



The screenshot shows the 'GO issuance request' form in the EECS web interface. The navigation bar includes 'Home', 'Account Holder', 'Production devices', 'Guarantees of Origin', and 'Validations management 11'. The left sidebar contains various menu items such as 'Guarantees of origin list', 'issuance request', 'issuance request code & step', 'Transfer request', 'Cancellation request', 'List of issuances', 'List of transfers', and 'List of cancellations'. The main form area includes fields for 'Device', 'National supports', 'Device type', 'Source(s)', and 'Region', all currently set to 'Not selected'. A 'Search' button is located at the bottom right of the form. Below the form, there is a section for 'Powernext contact details' and a 'Transfer account' section with a dropdown menu and an 'Emit' button. At the bottom, a table displays the following data:

Device	TSO / DSO ID	AIB ID	City	Source(s)	TSO / DSO	Counting data received	Capacity	Actions
Device name	ID	361358000000	City	Renewable / Mechanical source or other / Hydro and marine	DSO		139,160000	From To July 2020 <input type="button" value="Add"/>

- CHP case

Guarantees of Origin >> Issuance request cogeneration & steps

GO issuance request

[Guarantees of origin list](#)
[Issuance request](#)
[Issuance request cogeneration & step](#)
[Transfer request](#)
[Cancellation request](#)
[List of issuances](#)
[List of transfers](#)
[List of cancellations](#)

Powernext contact details
 GC-
 support@powernext.com
 +33 1 73 03 98 28
 5 bd Montmartre
 75002 PARIS

Holder information

Holder name: Holder ID:

Address:

Device information

Device: NOM
 Label: No label
 Device address:
 Device address (2):
 Zip code: City:
 Coordinate Code:
 Longitude: Latitude:
 Technology type:
 Capacity:
 Commissioning date:
 Reference of the grid: Reference of the exploitation authorization receipt:
 Name:
 Beneficiary of a purchase contract: Reference of the purchase contract:

Guarantee of origin information

Registry of origin: France / Powernext AIB code: 35
 Energy: Electricity Purpose: Disclosure
 label_monthcertificationDate (need translation): March 2020
 Thermal capacity (MW):
 Mechanical capacity (MW):
 Heat use: label_UseOfHeatEatingIncludingDistrictHeatingAndCooling
 Yearly average energy saving (%):
 Yearly average energy saving (MWh):
 Net quantity of produced power (MWh):
 Power quantity produced within the period (MWh):
 Produced CO2 emissions (Kg / MWh):
 CO2 emissions savings (%):
 Radioactive:
 Overall primary energy:
 Useful cooling:
 Electrical efficiency (%):
 Thermal efficiency (%):
 Quantity certified (MWh):
 Used source of energy: Natural gas
 Transfer account: Transfer 1
 Calorific value of the source:

The detailed calculation method can be found on Powernext website, in the section Download - GO

Annex 5: Cancellation Statement



Attestation d'utilisation - Garantie d'origine

Cancellation Statement - Guarantee of Origin

Ce document atteste que les garanties d'origine listées ci-dessous ont été utilisées au sein du Registre National Français des Garanties d'Origine. Les garanties d'origine indiquées ne sont plus négociables ou utilisables. Toute vente ultérieure ou utilisation ultérieure de cette attestation d'utilisation est interdite. Les qualités environnementales de l'énergie associée aux garanties d'origine ont été consommées. Toute duplication ou amendement de cette attestation est interdite.

This document certifies that the guarantees of origin listed hereunder have been cancelled through Powernext as the French Registry for Guarantees of Origin. These guarantees of origin are not transferable or cancelable anymore. Any later sale or cancellation of this cancellation statement is forbidden. The environmental qualities of the associated energy have been consumed. It is forbidden to copy or amend this cancellation statement as well.

Informations générales / General information

Titulaire du compte <i>Account Holder</i>	
Adresse du titulaire <i>Holder address</i>	
N° de demande <i>Cancellation number</i>	
Date d'utilisation <i>Cancellation date</i>	
Quantité d'énergie utilisée (MWh) <i>Amount of energy cancelled (MWh)</i>	
Type de bénéficiaire <i>Type of beneficiary</i>	
Bénéficiaire <i>Beneficiary</i>	
Objet de l'utilisation <i>Purpose of cancellation</i>	
Pays d'utilisation <i>Country of cancellation</i>	France
Période d'utilisation <i>Cancellation period</i>	Du 01/07/2020 au 31/07/2020

Légendes / Captions

Correspondance Caption	Code Code
Source mécanique ou autre /Hydraulique et Marine	F01050200
Installation hydroélectrique /Eclusee - lac	T030200
Aucune aide reçue	0
Installation hydroélectrique /Fil de l'eau	T030100
Installation hydroélectrique	T030000
Non spécifié	4



EECS Domain Protocol

Garanties d'origine utilisées / Cancelled guarantees of origin

#	N° de garantie d'origine <i>N° of guarantee of origin</i>	Quantité d'énergie (MWh) <i>Amount of energy (MWh)</i>	Date d'émission <i>Issuance date</i>	Période de production <i>Production period</i>	Label(s) <i>Label</i>
1	64300240655900000000000000000000XX 64300240655900000000000000000000XX			-	

Informations sur l'(es) installation(s) de production / Information on Production Device(s)

#	N° de l'installation <i>N° of Production Device</i>	Nom de l'installation <i>Production device name</i>	Domaine <i>Location</i>	Technologie <i>Technology</i>	Source <i>Source</i>	Puissance (MW) <i>Capacity (MW)</i>	Date de mise en service <i>Date operational</i>	Aide <i>Support</i>
1	64300240662600XXXX			T030000	F01050200			0



EECS Domain Protocol

Annex 6: Definitions

Terms used in capitalized letters shall have the meaning provided in the EECS Rules of the Association of Issuing Bodies (AIB), the latest version of which can be found at <http://www.aib-net.org>. For information only, some of the definition of the main terms is provided hereby. Would there be any conflicts between the latest version of the EECS Rules and the definitions provided hereby, the latest EECS Rules version shall prevail.

TERM	MEANING
Association of Issuing Bodies or "AIB"	The international scientific association constituted in accordance with the Belgian law of 25 October 1919 (as amended) under the name of "Association of Issuing Bodies" with a company number of 0.864.645.330
Domain	An area containing Production Devices with respect to which a Member is an Authorised Issuing Body for the purposes of an EECS Product
EECS	European Energy Certificate System : a commercially funded, integrated European framework for issuing, holding, transferring and otherwise processing electronic records (EECS Certificates) certifying, in relation to specific quantities of output from production devices, attributes of its source and/or the method and quality of its production.
EECS Certificate	A unique electronic Certificate specifying and representing the quality and method of production of a specific quantity of Output, which is maintained on a EECS Registration Database and Issued in accordance with the provisions of the EECS Rules
EECS-GO	An EECS Certificate corresponding to a type of Guarantee of Origin ("GO");
EECS Registration Database	A database operated by a Member, or operated by a Registry Operator on behalf of a Member, for the purposes of EECS, comprising: <ul style="list-style-type: none"> (a) Transferables and Cancellation Accounts and the EECS Certificates in those Accounts; (b) details of Production Devices and information provided to the Member or its Registry Operator in connection with the registration of those Production Devices with that Member or Registry Operator; and (c) details of EECS Certificates which have been transferred out of that EECS Registration Database;
EECS Rules	Principles and rules of operation of the European Energy Certificate System.



EECS Domain Protocol

EECS Scheme	Arrangements established by a Section of Part IV of the EECS Rules for the acceptance of Products in relation to a type of Output into EECS;
Guarantee of Origin (or "GO")	An electronic document (Certificate) issued by a Competent Authority under the laws of a State as a guarantee of the nature and origin of energy for the purpose of providing proof to a final customer that a given share or quantity of energy, as the case may be : (i) was produced from the energy source to which the guarantee relates; (ii) was produced by the specified technology type to which the guarantee relates; and/or (iii) has, or the Production Device(s) which produced it has (or have) other attributes to which the guarantee relates;
Output	An amount of energy or material goods yielded by a Production Device and measured by a Measurement Body, being either (i) electricity (ii) fuel; or (iii) heat
Production Device	A separately measured device or group of devices that produces an Output
Registrant	A person in whose name a Production Device is registered from time to time in an EECS Registration Database for the purposes of the Issue of one or more EECS Products
Registry Operator	In relation to any Member and EECS Scheme either: (a) that Scheme Member; or (b) where such appointment has been made, the person appointed by such Scheme Member to administer the operation of the EECS Registration Database for the purposes of that EECS Scheme;

The following is a summary of the EECS Rules Fact Sheet 'Types of Energy Inputs and Technologies' entries for technologies. Would there be any conflicts between the latest version of this Fact Sheet and the tables provided below, the latest version of the Fact Sheet shall prevail.

Energy Inputs			
Level 1	Level 2	Level 3	
Solid	Unspecified	Unspecified	
	Municipal waste	Biogenic	
	Industrial and commercial waste	Biogenic	
	Wood	Unspecified	
		Forestry products	
		Forestry by-products & waste	
	Animal fats	Unspecified	
	Biomass from agriculture	Unspecified	
		Agricultural products	
		Agricultural by-products & waste	
Liquid	Unspecified	Unspecified	
	Municipal biodegradable waste	Unspecified	
	Black liquor	Unspecified	
	Pure plant oil	Unspecified	
		Rapeseed (Brassica napus L.)	
		Sunflower (Helianthus annuus L.)	
		Oil palm (Elaeis guineensis Jacq.)	
		Coconut (Cocos nucifera L.)	
		Yatropha	
		Waste plant oil	Unspecified
	Refined vegetable oil	Unspecified	
		Biodiesel (mono-alkyl ester)	
		Biogasoline (C ₆ -C ₁₂ hydrocarbon)	
	Gaseous	Unspecified	Unspecified
		Landfill gas	Unspecified
		Sewage gas	Unspecified
Agricultural gas		Unspecified	
		Pig manure	
		Cow manure	
		Chicken manure	
		Unspecified manure	
		Energy crops	
Gas from organic waste digestion		Unspecified	
Process gas		Biogenic	
Heat	Solar	Unspecified	
	Geothermal	Unspecified	
		Conventional geothermal heat	
		Enhanced dry bed geothermal heat	
	Aerothermal	Unspecified	
	Hydrothermal	Unspecified	
	Process heat	Biogenic	
Mechanical source or other	Unspecified	Unspecified	
	Wind	Unspecified	
	Hydro & marine	Unspecified	

Technologies			
Level 1	Level 2	Level 3	
Solar	Unspecified	Unspecified	
	Photovoltaic	Unspecified	
		Classic silicon	
		Thin film	
	Concentration	Unspecified	
Wind	Unspecified	Unspecified	
		Onshore	
		Offshore	
Hydro-electric Head	Unspecified	Unspecified	
	Run-of-river head installation	Unspecified	
	Storage head installation	Unspecified	
	Pure pumped storage head installation	Unspecified	
	Mixed pumped storage head	Unspecified	
Marine	Unspecified	Unspecified	
		Tidal	Unspecified
			Onshore
			Offshore
	Wave		Unspecified
			Onshore
			Offshore
	Currents	Unspecified	
	Pressure	Unspecified	
Thermal	Unspecified	Unspecified	
		Combined cycle gas turbine with heat recovery	Unspecified
			Non CHP
			CHP
	Steam turbine with back-pressure turbine (open cycle)		Unspecified
			Non CHP
			CHP
	Steam turbine with condensation turbine (closed cycle)		Unspecified
			Non CHP
			CHP
	Gas turbine with heat recovery		Unspecified
			Non CHP
			CHP
	Internal combustion engine		Unspecified
			Non CHP
		CHP	
Micro-turbine		Unspecified	
		Non CHP	
		CHP	
Stirling engine		Unspecified	
		Non CHP	
		CHP	
Fuel cell		Unspecified	
		Non CHP	
		CHP	
Steam engine		Unspecified	
		Non CHP	
		CHP	
Organic rankine cycle		Unspecified	
		Non CHP	
		CHP	
Nuclear	Unspecified	Unspecified	
	Heavy-water reactor	Unspecified	
	Light water reactor	Unspecified	
	Breeder	Unspecified	
	Graphite reactor	Unspecified	
Other	Unspecified	Unspecified	